

HAYLEY PNEU-SAVER

HAYLEY
FLUID POWER

Reduce your compressed air consumption by a minimum of 45%

Connect any number of existing double acting pneumatic cylinders to a Hayley Pneu-Saver and their compressed air consumption will reduce by a guaranteed minimum of 45%.

How?

The Hayley Pneu-Saver captures and recycles the compressed air from the non-working stroke of the cylinder that would normally be exhausted to atmosphere.

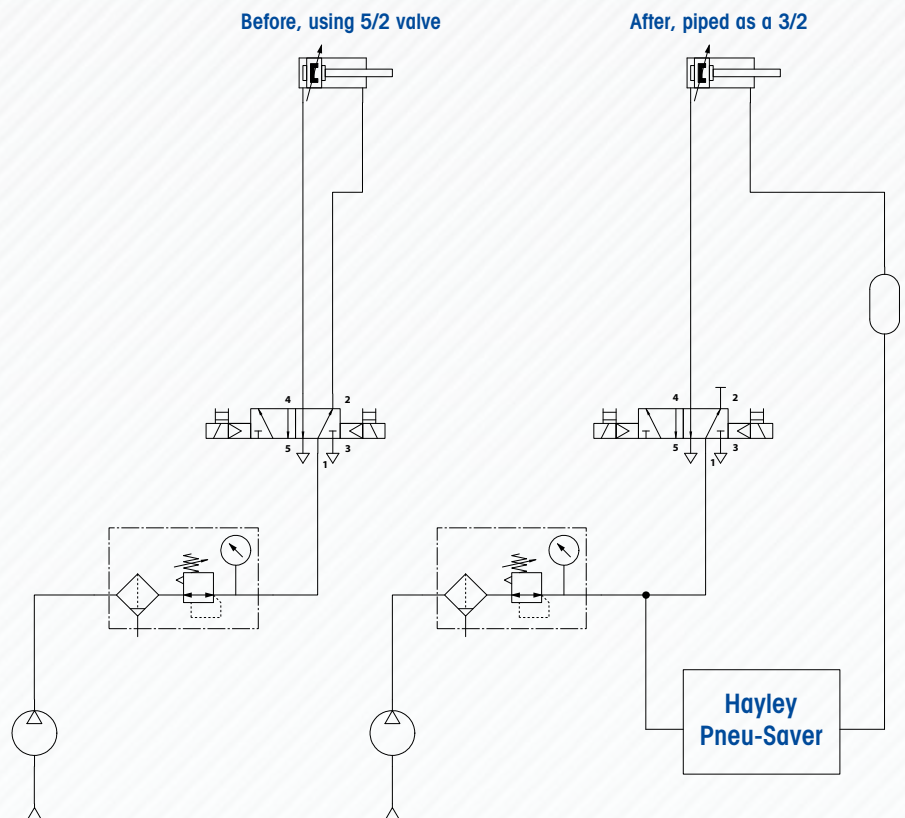
Any number of cylinders on one machine can be connected to a Pneu-Saver, only the receiver size changes.

This air is stored in the air receiver and controlled by the Pneu-Saver to return to the cylinder at a lower working pressure to its rest position.

The original control valve still operates the cylinder but is now converted to 3/2 as the circuit to the right demonstrates..

There is no loss in overall performance or cycle times and all savings are verified using state of the art electronic air flow meters providing 'before and after' compressed air consumption data.

Typical Machine Installation



The Hayley Pneu-Saver will:

- ✓ LOWER YOUR ELECTRICITY BILLS
- ✓ REDUCE YOUR CARBON FOOTPRINT
- ✓ TYPICALLY GIVES YOU A PAYBACK PERIOD WITHIN 12 MONTHS

HAYLEY

For more information please contact
your local branch or Hayley Fluid Power